



**CROSS  
MINING**

Iluminación industrial

# Proyector 200W

**CM-9856SL**

Diseñado para aplicaciones exigentes, este proyector LED ofrece una eficiencia luminosa de hasta 120 lm/W, con un flujo total de 17.659 lm y un ángulo de apertura promedio de 103.3°, ideal para iluminación amplia y uniforme. Su construcción robusta incluye protección IP66 contra agua y polvo, resistencia al impacto IK08.



# PHILIPS

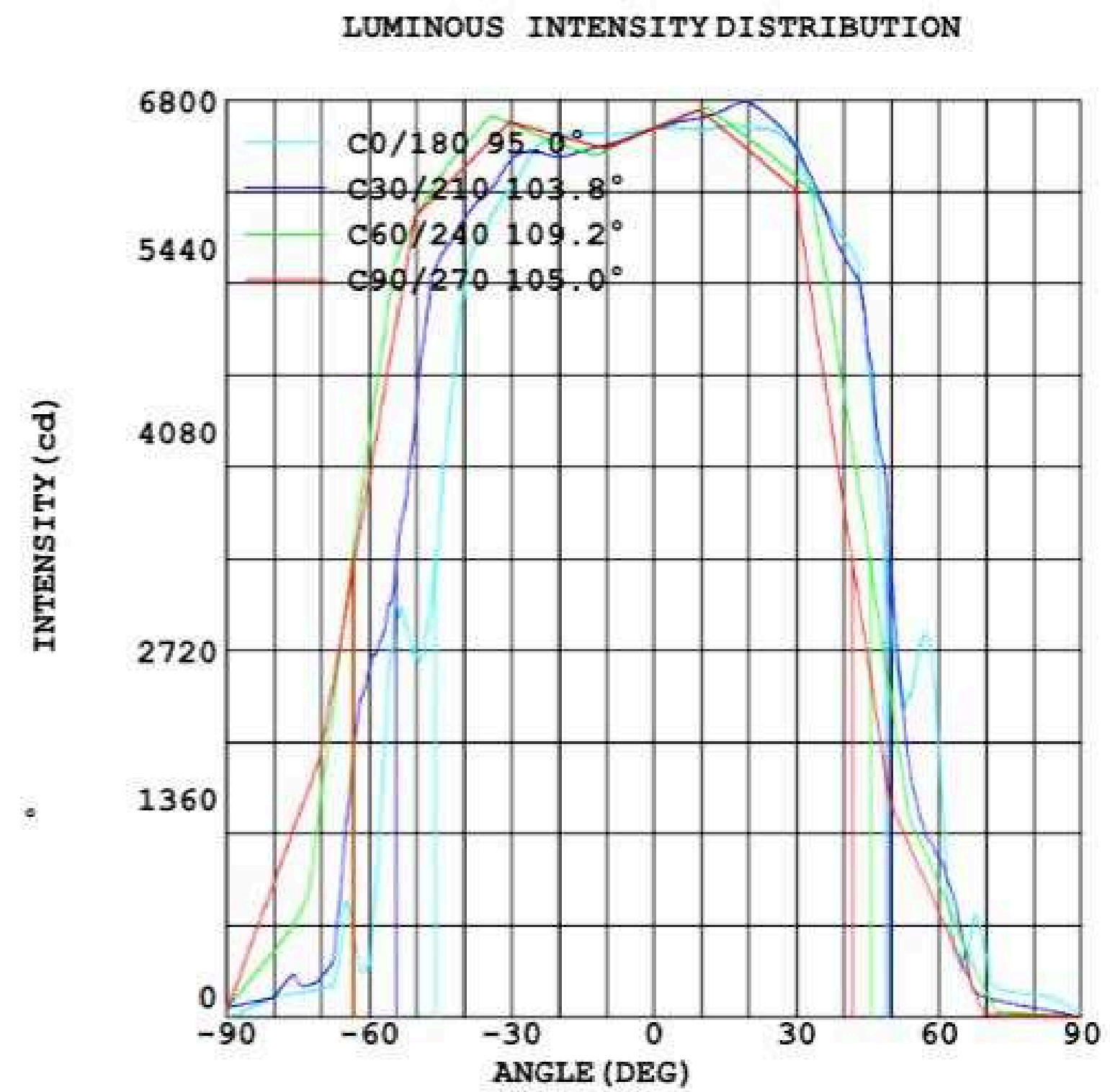
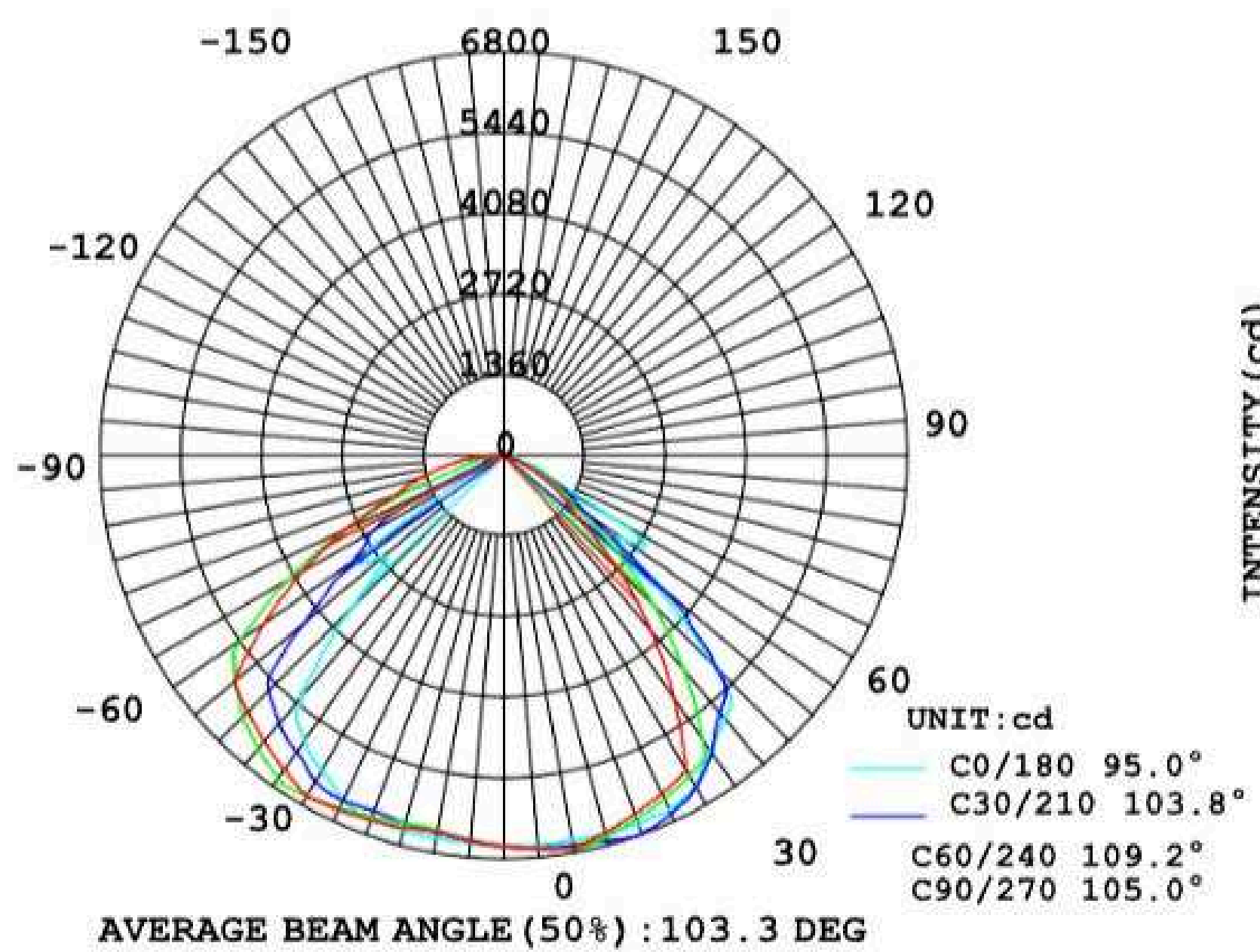




## Parámetros técnicos

| Lamp Description            |                   |                      |
|-----------------------------|-------------------|----------------------|
| manufacturer:               | Model: CM-9856-SL |                      |
| Name : Led Flood Light 200W | Type:             | Weight:              |
| Specification:              | Dimension:        | serial N°: FL-C20151 |

| MeasuredData of Lamp       |                           |                             |
|----------------------------|---------------------------|-----------------------------|
| Modale:                    | Imax(cd): 6800            | Effective Flux(lm): 17236.9 |
| Nominal Power (w): 194     | Maximum (C, γ): 210, 19.5 | EEL: 0.153                  |
| Rated Voltage (v): 220     | Efficiency: 100.0         | Voltage (v): 220.3          |
| Nominal Flux (lm): 17659.1 | η street_up(%): 0.0       | Current (A): 0.902          |
| Test Flux(lm): 17659       | η street_down(%): 59.8    | Power (W): 193.6            |
| Lamps Quantify: 1          | η house_up(%): 0.0        | Power Factor: 0.974         |
| Total Flux (lm): 17659     | η house_down(%): 40.2     | Efficiency (lm/W): 91.2     |



Test System:HOPOO HPG1900  
Temperature:25.3DEG  
Operators:  
Test Date:20151118

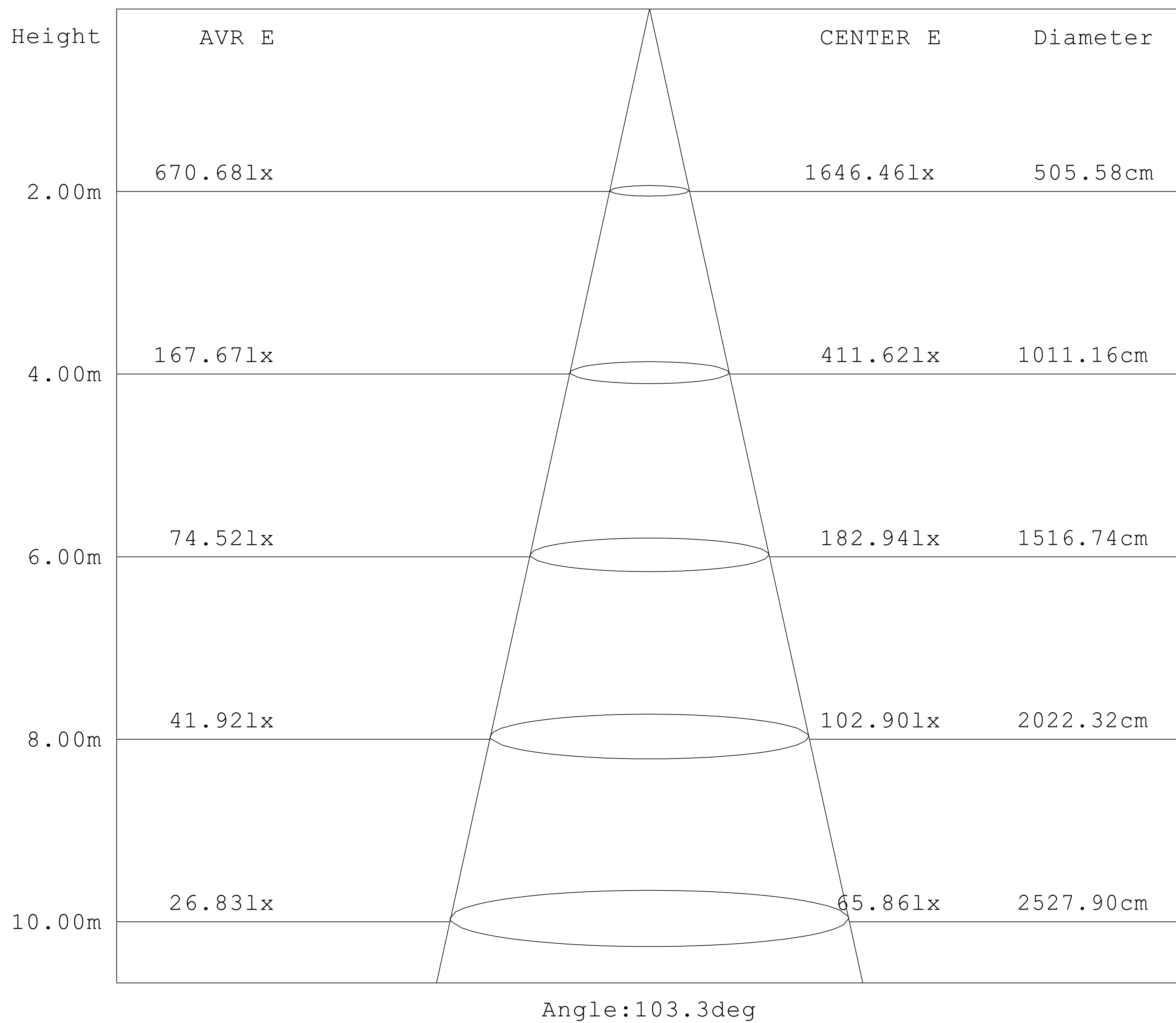
Test Set: 5.0deg/s B-Beta (TYPE B)  
Humidity:65.0%  
Test Distance:10.000 m  
Remarks:



## Street Light Photometric Test Report

| Lamp Description            |                   |                      |
|-----------------------------|-------------------|----------------------|
| manufacturer:               | Model: CM-9856-SL |                      |
| Name : Led Flood Light 200W | Type:             | Weight:              |
| Specification:              | Dimension:        | serial N°: FL-C20151 |

### AVERAGE AND CENTER E Figure



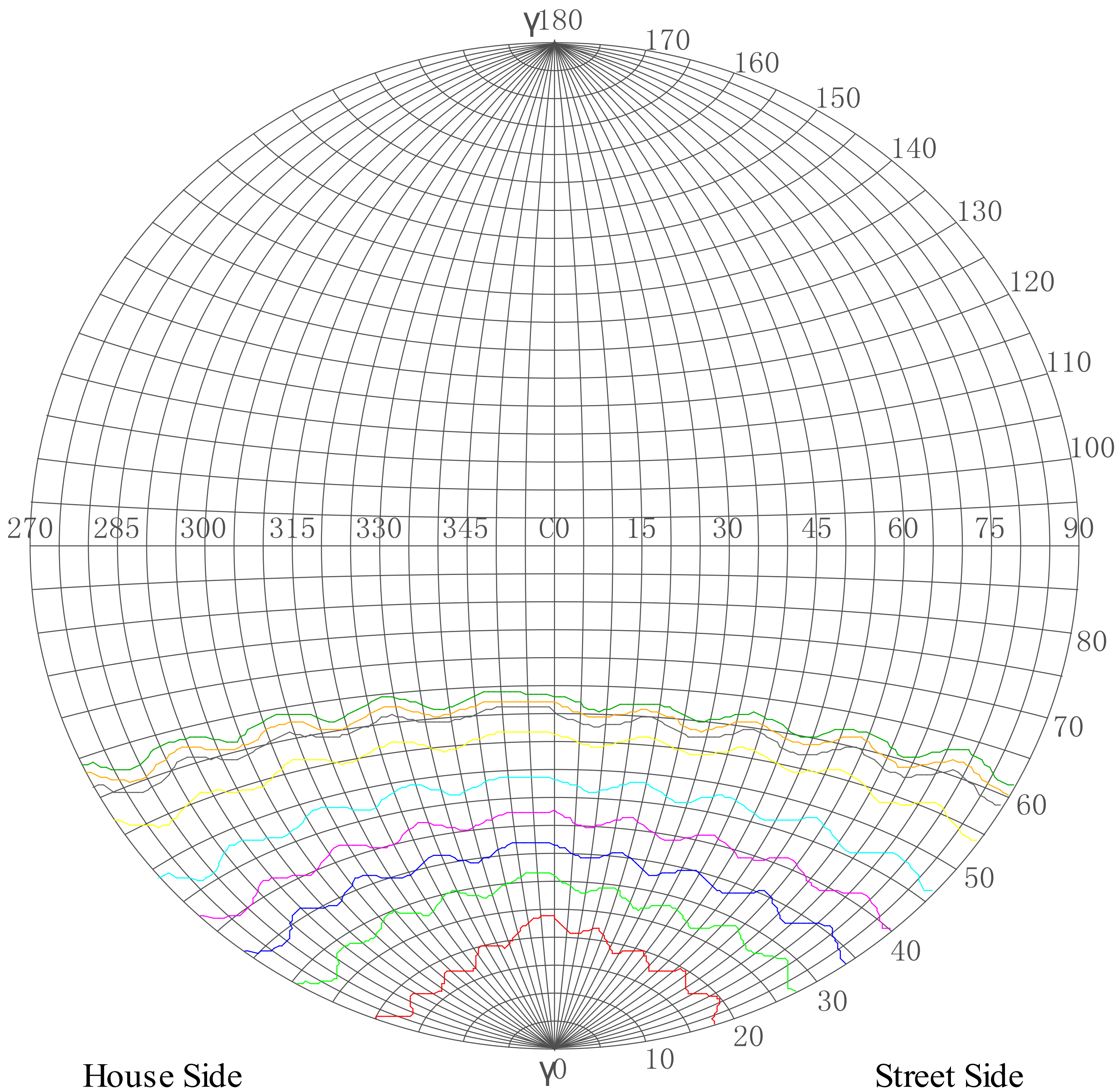
Test System: HOPOO HPG1900  
 Temperature: 25.3DEG  
 Operators:  
 Test Date: 20151118

Test Set: 5.0deg/s B-Beta (TYPE B)  
 Humidity: 65.0%  
 Test Distance: 10.000 m  
 Remarks:



# Street Light Photometric Test Report

| Lamp Description            |                   |                      |
|-----------------------------|-------------------|----------------------|
| manufacturer:               | Model: CM-9856-SL |                      |
| Name : Led Flood Light 200W | Type:             | Weight:              |
| Specification:              | Dimension:        | serial N°: FL-C20151 |



### Road Lamp Type

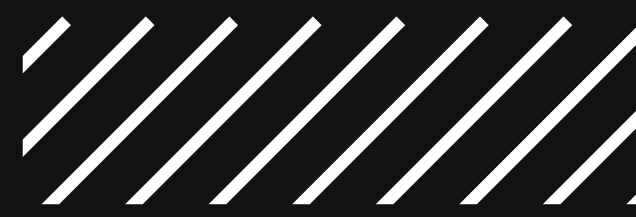
CIE: cut-off  
 CIE: short-narrow extension  
 IES: cut-off  
 IES: II-very short  
 Max. At80: 7.81cd/klm  
 Max. At90: 6.5117cd/klm

| Isocandela Curve(Round Net) |      |
|-----------------------------|------|
| Intensity Unit              | cd   |
| Imax = 100%                 | 9608 |
| — 90%                       | 8648 |
| — 80%                       | 7687 |
| — 70%                       | 6726 |
| — 60%                       | 5765 |
| — 50%                       | 4804 |
| — 40%                       | 3844 |
| — 30%                       | 2883 |
| — 20%                       | 1922 |
| — 10%                       | 961  |

c Range: 0-360 Degree  
 c Interval: 10 Degree  
 Test Speed: Fast  
 Test Distance: 8.0 m  
 Note:

$\gamma$  Range: 0-90 Degree  
 $\gamma$  Interval: 0.9 Degree  
 Test Date: 2012-05-28  
 Test Time: 17:25:49

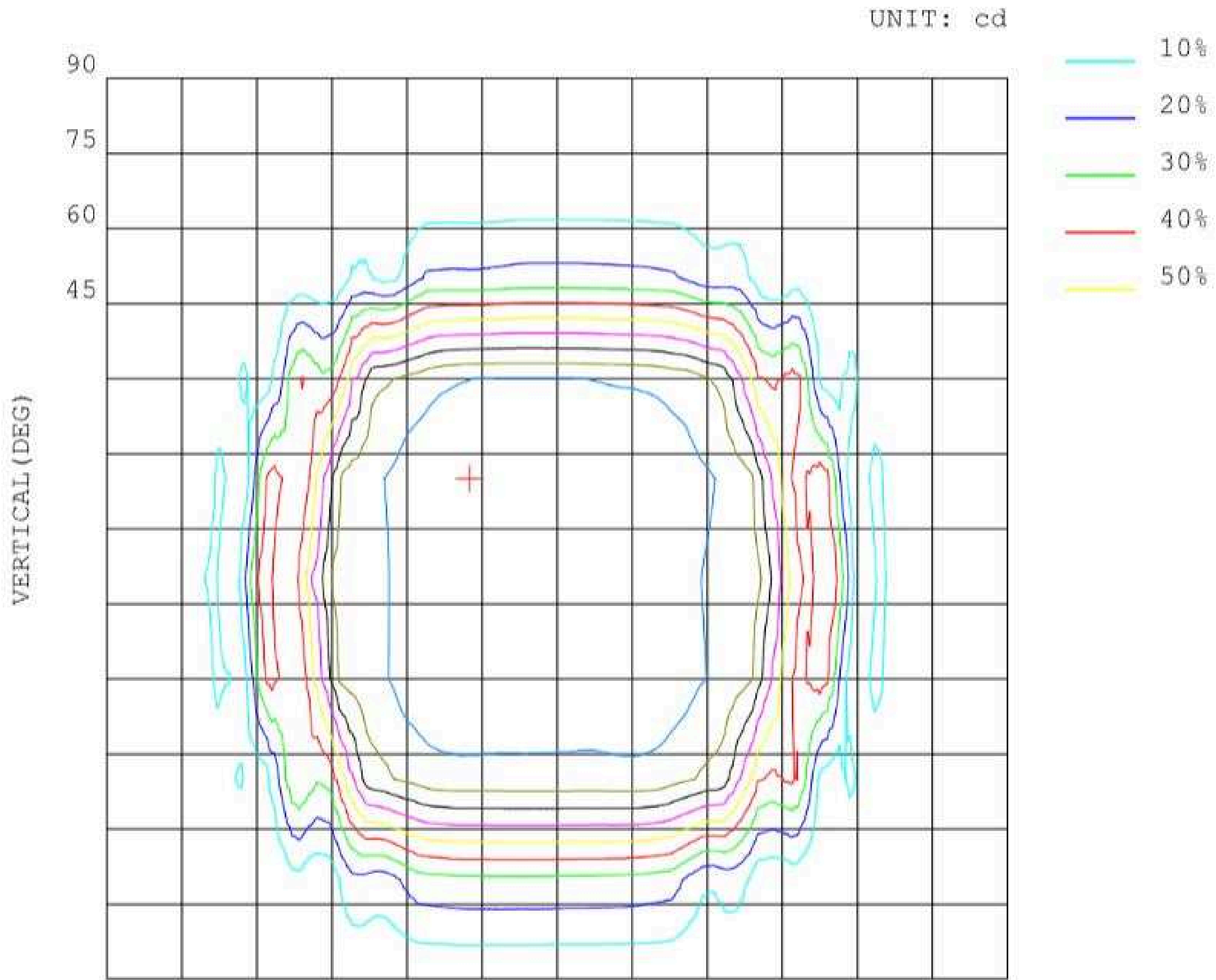
Temperature: 25 Celsius  
 Humidity: 65%  
 Test No.:  
 Tester:



**Lamp Description**

|                             |                   |                      |
|-----------------------------|-------------------|----------------------|
| manufacturer:               | Model: CM-9856-SL |                      |
| Name : Led Flood Light 200W | Type:             | Weight:              |
| Specification:              | Dimension:        | serial N°: FL-C20151 |

**ISOCANDELA DIAGRAM**



Test System:HOPOO HPG1900  
Temperature:25.3DEG  
Operators:  
Test Date:20151118

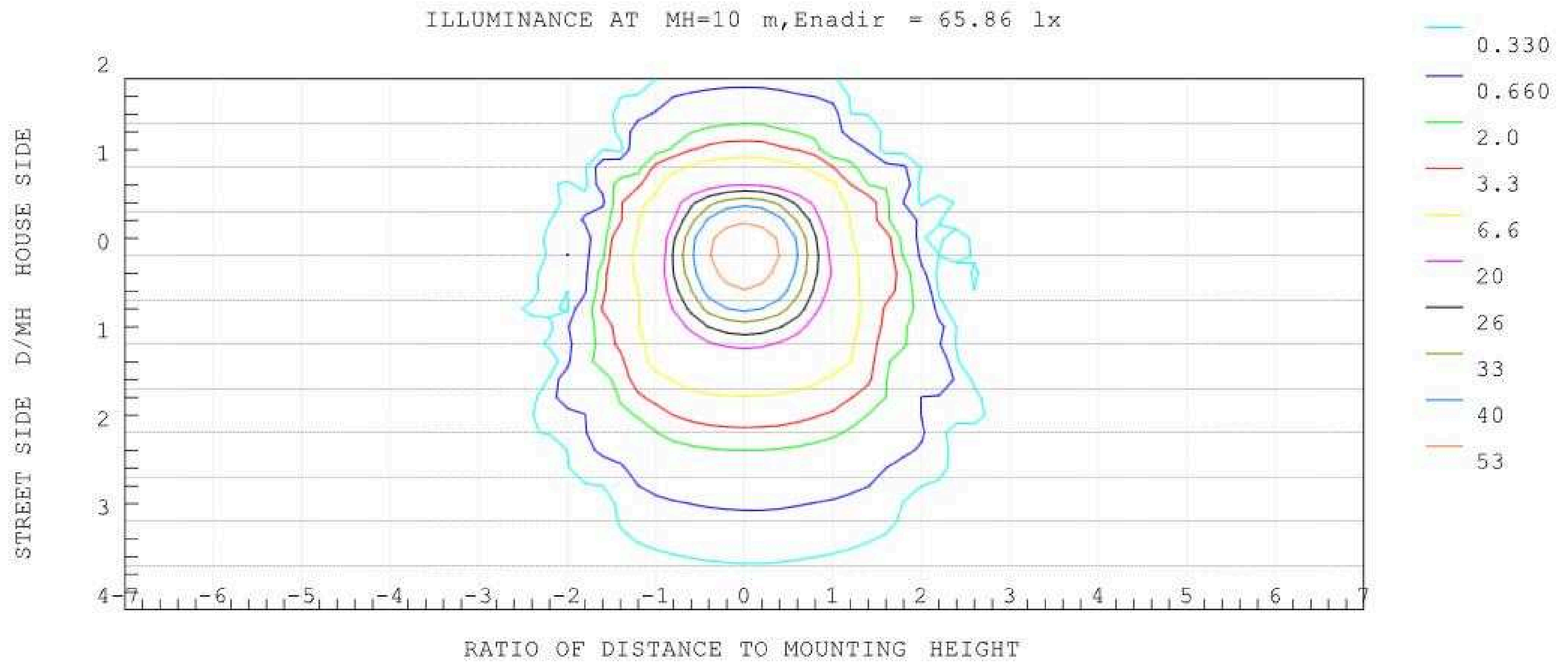
Test Set: 5.0deg/s B-Beta (TYPE B)  
Humidity:65.0%  
Test Distance:10.000 m  
Remarks:



**Lamp Description**

|                             |                   |                      |
|-----------------------------|-------------------|----------------------|
| manufacturer:               | Model: CM-9856-SL |                      |
| Name : Led Flood Light 200W | Type:             | Weight:              |
| Specification:              | Dimension:        | serial N°: FL-C20151 |

**ISOLUX DIAGRAM**



Test System:HOPOO HPG1900  
 Temperature:25.3DEG  
 Operators:  
 Test Date:20151118

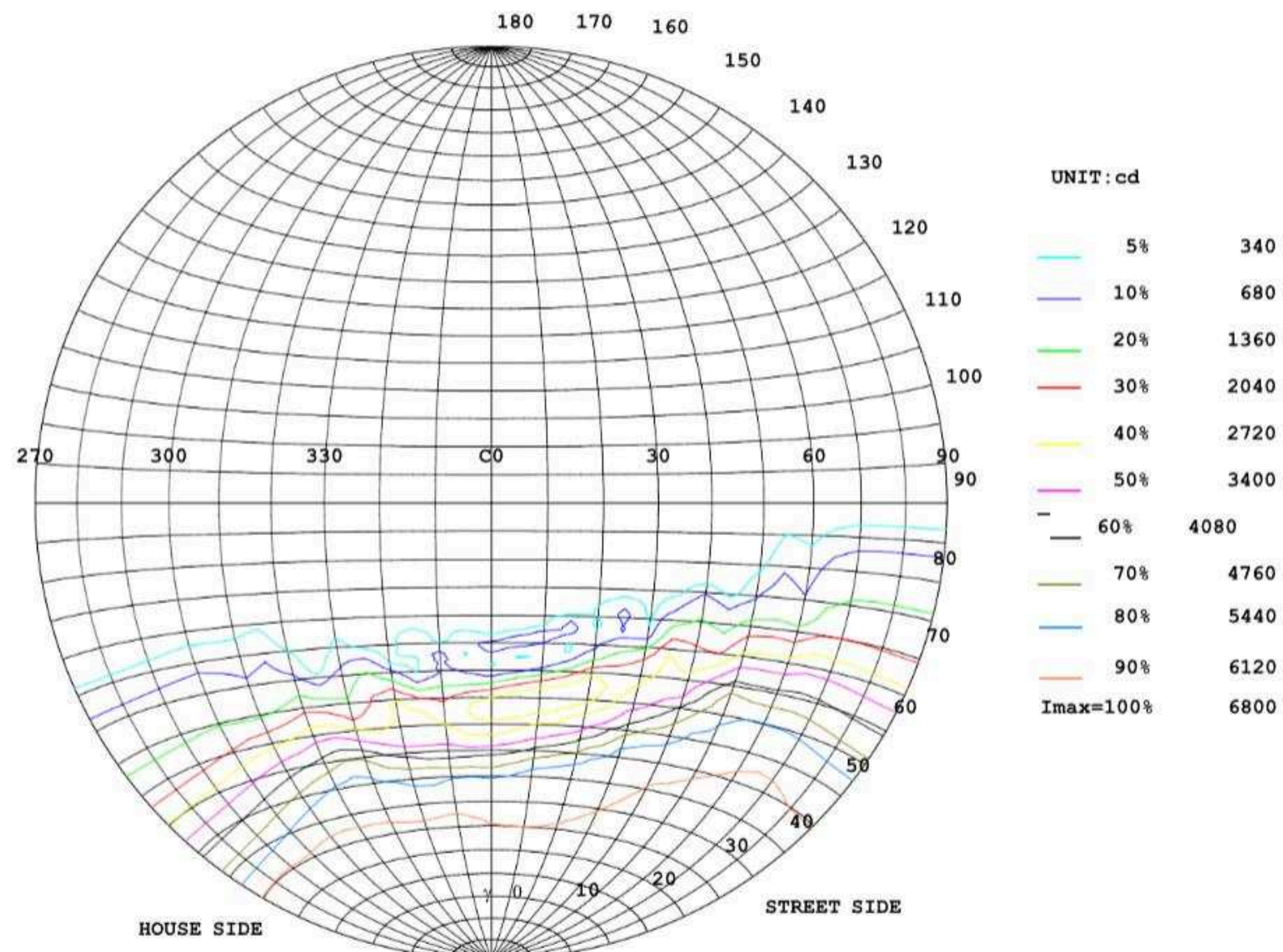
Test Set: 5.0deg/s B-Beta (TYPE B)  
 Humidity:65.0%  
 Test Distance:10.000 m  
 Remarks:



🕒 Lamp Description

|                             |                   |                      |
|-----------------------------|-------------------|----------------------|
| manufacturer:               | Model: CM-9856-SL |                      |
| Name : Led Flood Light 200W | Type:             | Weight:              |
| Specification:              | Dimension:        | serial N°: FL-C20151 |

☀️ ISOCANDELA DIAGRAM

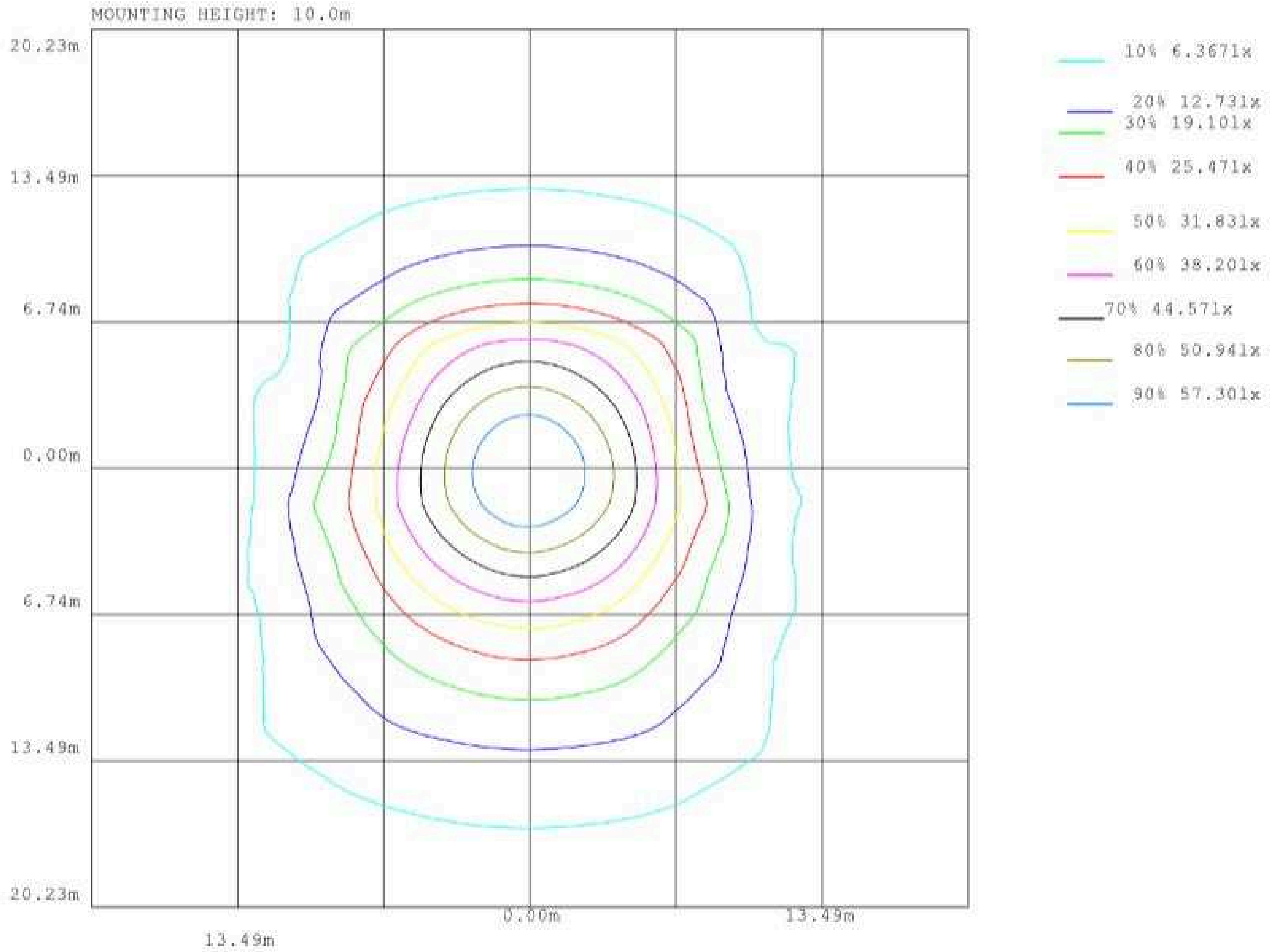




**Lamp Description**

|                             |                   |                      |
|-----------------------------|-------------------|----------------------|
| manufacturer:               | Model: CM-9856-SL |                      |
| Name : Led Flood Light 200W | Type:             | Weight:              |
| Specification:              | Dimension:        | serial N°: FL-C20151 |

**ISOLUX DIAGRAM**



Test System:HOPOO HPG1900  
 Temperature:25.3DEG  
 Operators:  
 Test Date:20151118

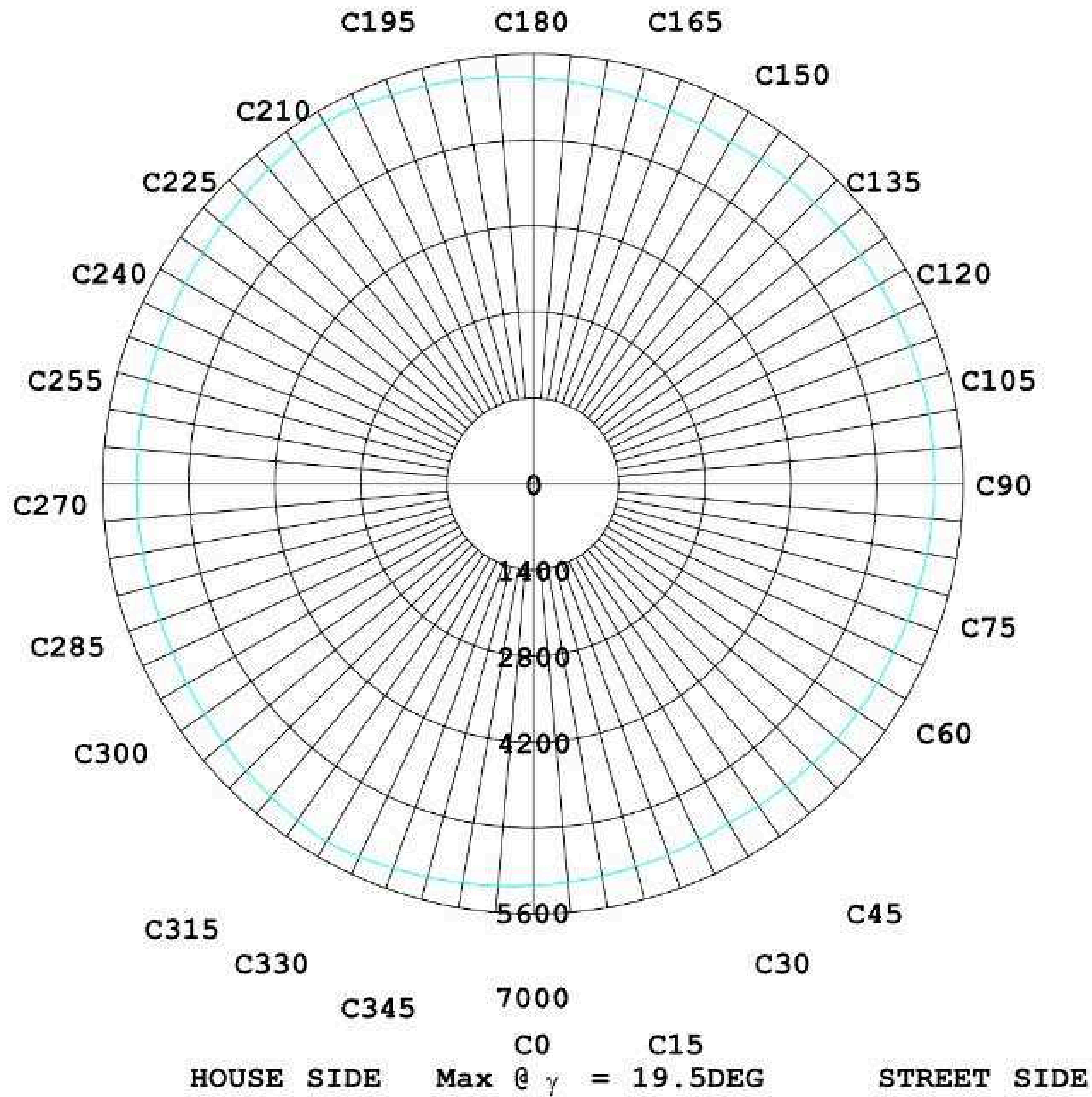
Test Set: 5.0deg/s B-Beta (TYPE B)  
 Humidity:65.0%  
 Test Distance:10.000 m  
 Remarks:



**Lamp Description**

|                             |                   |                      |
|-----------------------------|-------------------|----------------------|
| manufacturer:               | Model: CM-9856-SL |                      |
| Name : Led Flood Light 200W | Type:             | Weight:              |
| Specification:              | Dimension:        | serial N°: FL-C20151 |

**ISOCANDELA DIAGRAM**



Test System:HOPOO HPG1900  
Temperature:25.3DEG  
Operators:  
Test Date:20151118

Test Set: 5.0deg/s B-Beta (TYPE B)  
Humidity:65.0%  
Test Distance:10.000 m  
Remarks:

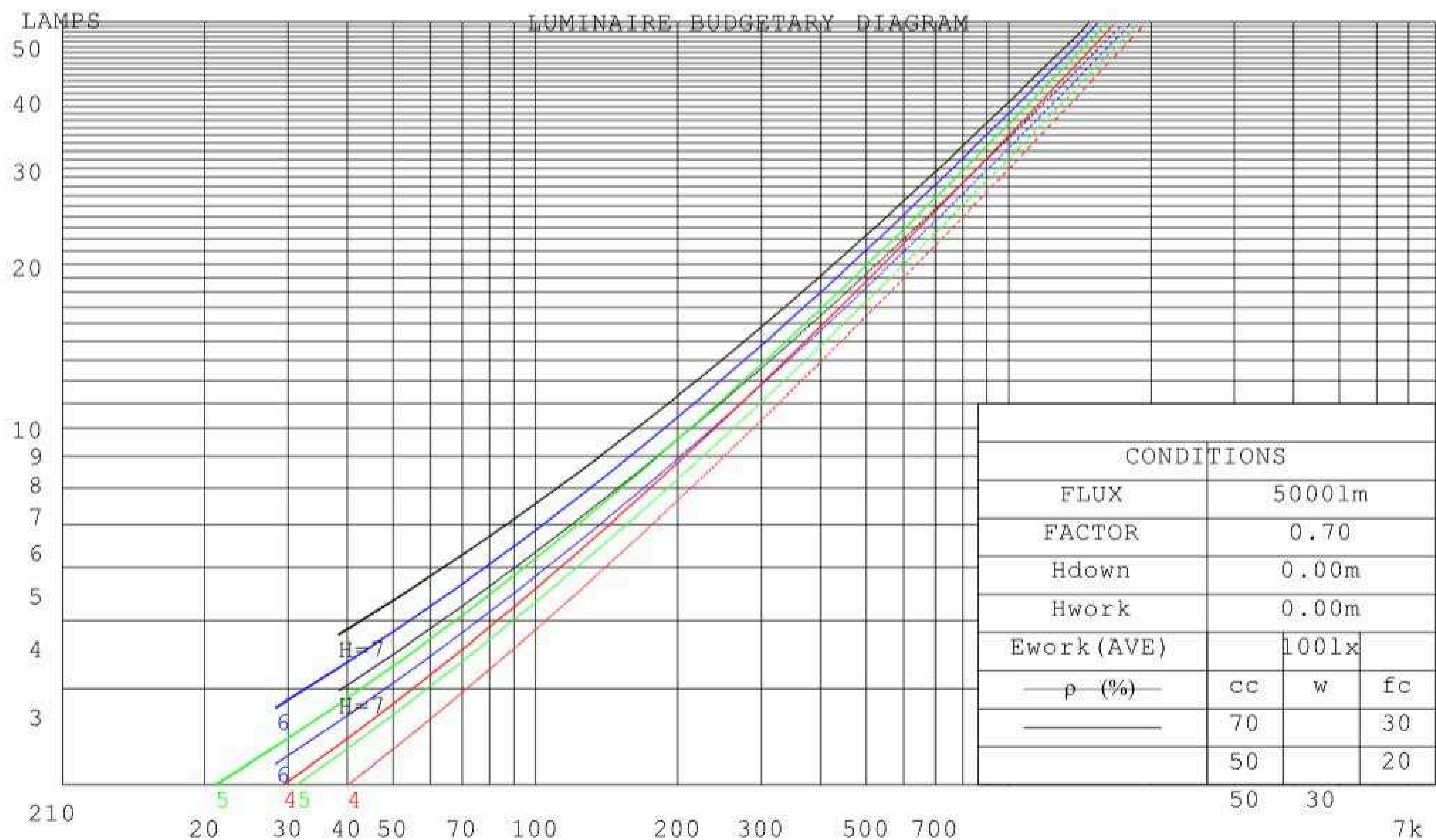


**Lamp Description**

|                             |                   |                      |
|-----------------------------|-------------------|----------------------|
| manufacturer:               | Model: CM-9856-SL |                      |
| Name : Led Flood Light 200W | Type:             | Weight:              |
| Specification:              | Dimension:        | serial N°: FL-C20151 |

**CU AND LUMINAIRE BUDGETARY ESTIMATE DIAGRAM**

|             |                       |      |      |      |      |      |                                 |      |      |      |      |      |      |      |      |     |
|-------------|-----------------------|------|------|------|------|------|---------------------------------|------|------|------|------|------|------|------|------|-----|
| $\rho_{cc}$ | 80%                   |      |      | 70%  |      |      | 50%                             |      |      | 30%  |      |      | 10%  |      |      | 0   |
| $\rho_w$    | 50%                   | 30%  | 10%  | 50%  | 30%  | 10%  | 50%                             | 30%  | 10%  | 50%  | 30%  | 10%  | 50%  | 30%  | 10%  | 0   |
| $\rho_{fc}$ | 20%                   |      |      | 20%  |      |      | 20%                             |      |      | 20%  |      |      | 20%  |      |      | 0   |
| RCR         | RCR:Room Cavity Ratio |      |      |      |      |      | Coefficients of Utilization(CU) |      |      |      |      |      |      |      |      |     |
| 0.0         | 1.19                  | 1.19 | 1.19 | 1.16 | 1.16 | 1.16 | 1.11                            | 1.11 | 1.11 | 1.06 | 1.06 | 1.06 | 1.02 | 1.02 | 1.02 | .00 |
| 1.0         | 1.06                  | 1.02 | .99  | 1.04 | 1.01 | .97  | .90                             | .97  | .94  | .96  | .94  | .92  | .92  | .91  | .89  | .87 |
| 2.0         | .94                   | .88  | .83  | .92  | .87  | .82  | .89                             | .84  | .80  | .86  | .82  | .78  | .83  | .79  | .77  | .75 |
| 3.0         | .84                   | .76  | .70  | .82  | .75  | .70  | .79                             | .73  | .68  | .76  | .71  | .67  | .74  | .70  | .66  | .64 |
| 4.0         | .75                   | .67  | .60  | .73  | .66  | .60  | .71                             | .64  | .59  | .69  | .63  | .58  | .67  | .62  | .58  | .56 |
| 5.0         | .67                   | .59  | .52  | .66  | .58  | .52  | .64                             | .57  | .52  | .62  | .56  | .51  | .60  | .55  | .51  | .49 |
| 6.0         | .61                   | .52  | .46  | .60  | .52  | .46  | .58                             | .51  | .45  | .56  | .50  | .45  | .55  | .49  | .45  | .43 |
| 7.0         | .55                   | .47  | .41  | .54  | .46  | .41  | .53                             | .46  | .40  | .51  | .45  | .40  | .50  | .44  | .40  | .38 |
| 8.0         | .50                   | .42  | .36  | .50  | .42  | .36  | .48                             | .41  | .36  | .47  | .41  | .36  | .46  | .40  | .36  | .34 |
| 9.0         | .46                   | .38  | .33  | .46  | .38  | .33  | .44                             | .37  | .33  | .43  | .37  | .32  | .42  | .37  | .32  | .30 |
| 10.0        | .43                   | .35  | .30  | .42  | .35  | .30  | .41                             | .34  | .30  | .40  | .34  | .29  | .39  | .33  | .29  | .28 |



Test System:HOPOO HPG1900  
 Temperature:25.3DEG  
 Operators:  
 Test Date:20151118

Test Set: 5.0deg/s B-Beta (TYPE B)  
 Humidity:65.0%  
 Test Distance:10.000 m  
 Remarks: