



**CROSS
MINING**

Iluminación industrial

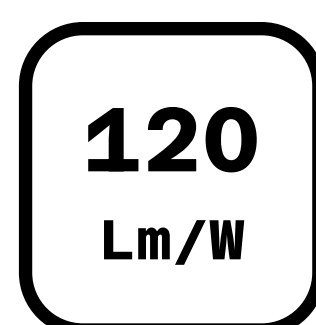
Proyector 100W

CM-5698SL

Diseñado para aplicaciones exigentes, este proyector LED ofrece una eficiencia luminosa de hasta 120 lm/W, con un flujo total de ≥ 12.000 lm y un ángulo de apertura promedio de 103° , ideal para iluminación amplia y uniforme. Su construcción robusta incluye protección IP65 contra agua y polvo, garantizando durabilidad y resistencia en entornos industriales.



PHILIPS

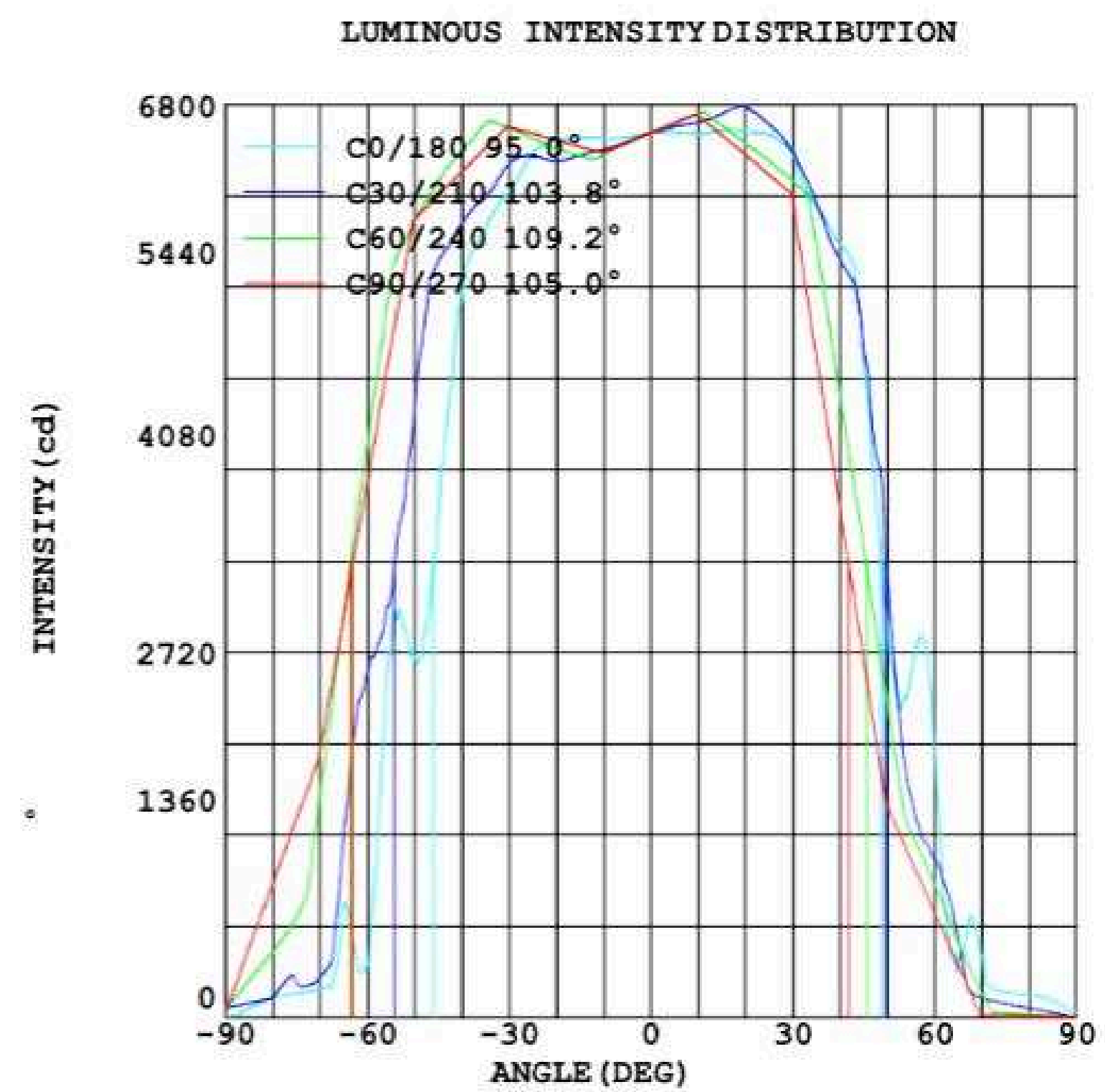
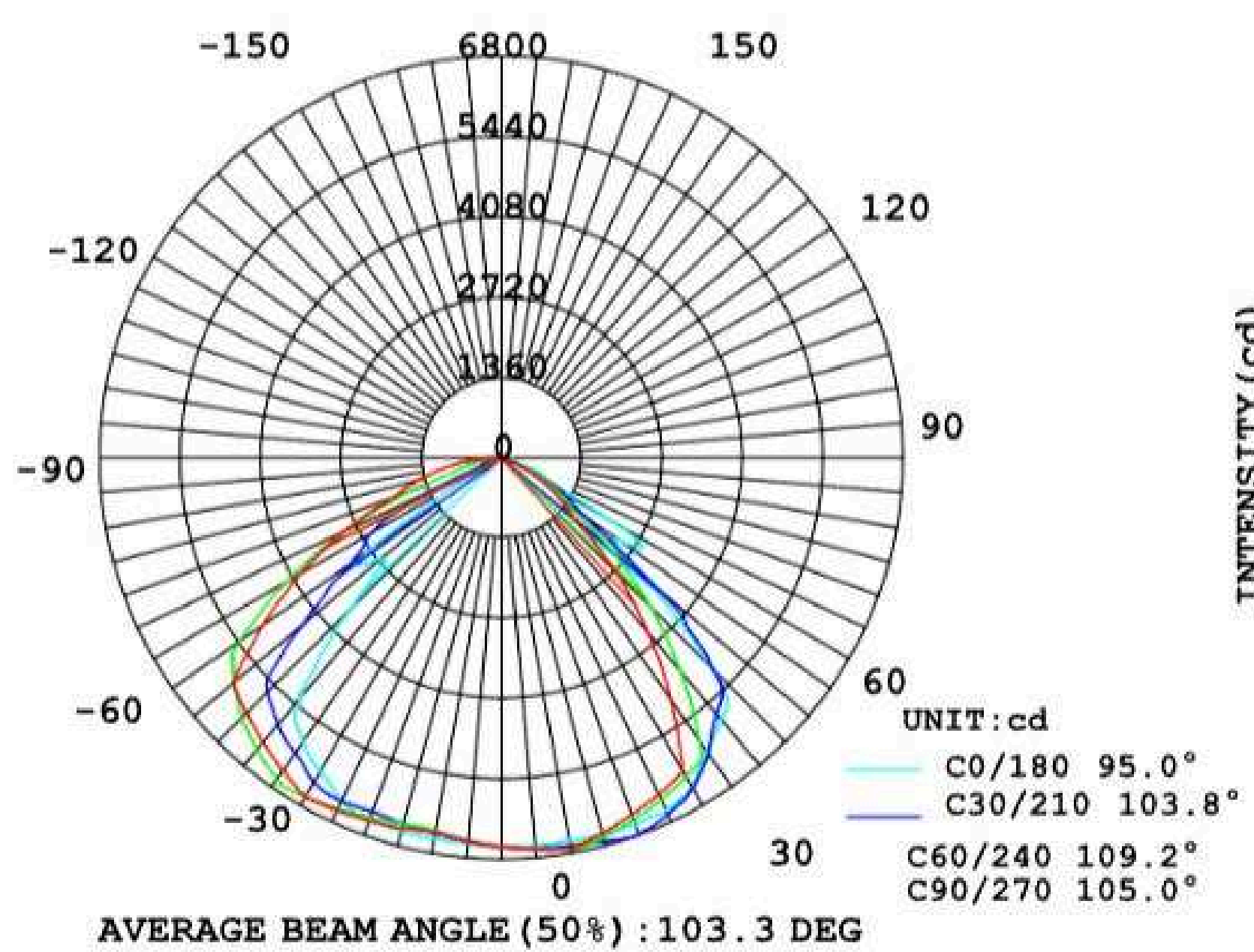




Parámetros técnicos

Lamp Description		
manufacturer:	Model: CM-5698SL	
Name : Led Flood Light 100W	Type: Philips SMD3030 + ELG Meanwell Driver	Weight: 10.5 kg
Specification: ≥ 12.000 lm (120 lm/W), Ra ≥ 80	Dimension: 250 x 270 x 178 mm	serial N°: AM1963489

MeasuredData of Lamp		
Modale:	Imax(cd): 6800	Effective Flux(lm): 17236.9
Nominal Power (w): 100	Maximum (C, γ): 210, 19.5	EEL: 0.153
Rated Voltage (V): AC85-265	Efficiency: 120	Voltage (V): 220.3
Nominal Flux (lm): ≥ 12.000	η street_up(%): 0.0	Current (A): 0.902
Test Flux(lm): 17659	η street_down(%): 59.8	Power (W): 193.6
Lamps Quantify: 1	η house_up(%): 0.0	Power Factor: ≥ 0.95
Total Flux (lm): 17659	η house_down(%): 40.2	Efficiency (lm/W): 91.2



Test System:HOPOO HPG1900
Temperature:25.3DEG
Operators:
Test Date:20151118

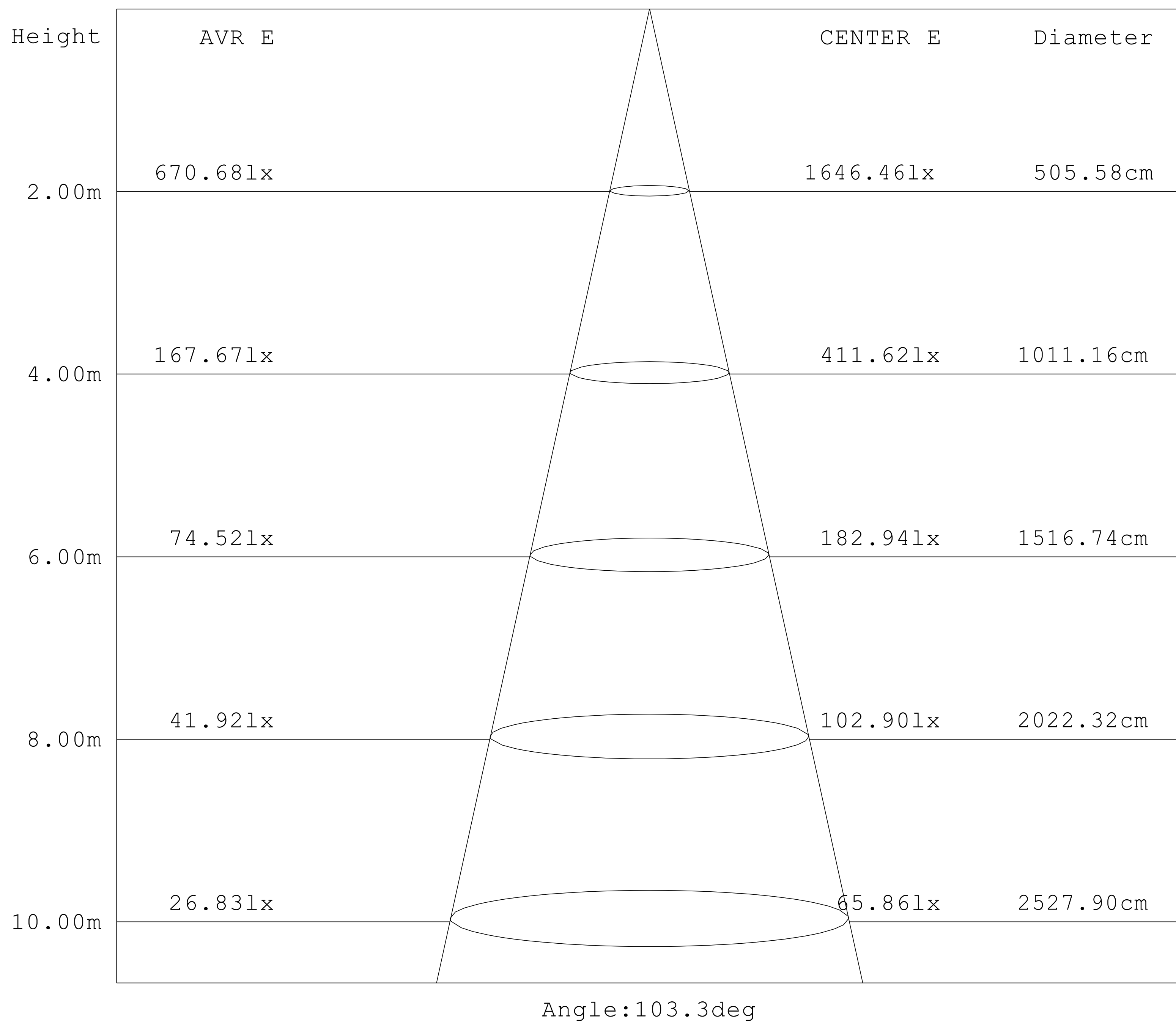
Test Set: 5.0deg/s B-Beta (TYPE B)
Humidity:65.0%
Test Distance:10.000 m
Remarks:



Street Light Photometric Test Report

Lamp Description		
manufacturer:	Model: CM-9856-SL	
Name : Led Flood Light 200W	Type:	Weight:
Specification:	Dimension:	serial N°: FL-C20151

AVERAGE AND CENTER E Figure



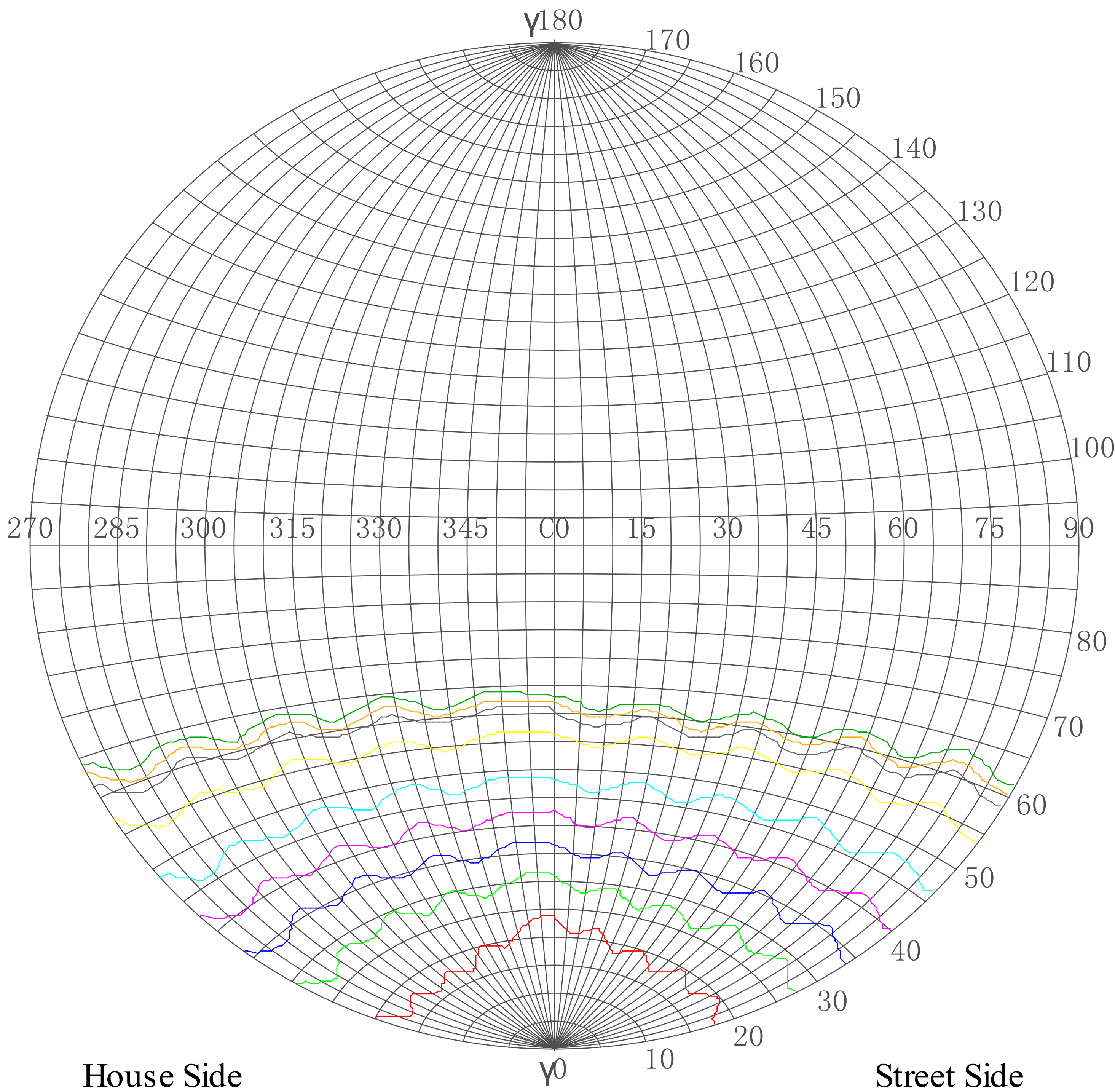
Test System: HOPOO HPG1900
 Temperature: 25.3DEG
 Operators:
 Test Date: 20151118

Test Set: 5.0deg/s B-Beta (TYPE B)
 Humidity: 65.0%
 Test Distance: 10.000 m
 Remarks:



Street Light Photometric Test Report

Lamp Description		
manufacturer:	Model: CM-9856-SL	
Name : Led Flood Light 200W	Type:	Weight:
Specification:	Dimension:	serial N°: FL-C20151



Road Lamp Type

CIE: cut-off
 CIE: short-narrow extension
 IES: cut-off
 IES: II-very short
 Max. At80: 7.81cd/klm
 Max. At90: 6.5117cd/klm

Isocandela Curve(Round Net)	
Intensity Unit	cd
Imax = 100%	9608
— 90%	8648
— 80%	7687
— 70%	6726
— 60%	5765
— 50%	4804
— 40%	3844
— 30%	2883
— 20%	1922
— 10%	961

c Range: 0-360 Degree
 c Interval: 10 Degree
 Test Speed: Fast
 Test Distance: 8.0 m
 Note:

γ Range: 0-90 Degree
 γ Interval: 0.9 Degree
 Test Date: 2012-05-28
 Test Time: 17:25:49

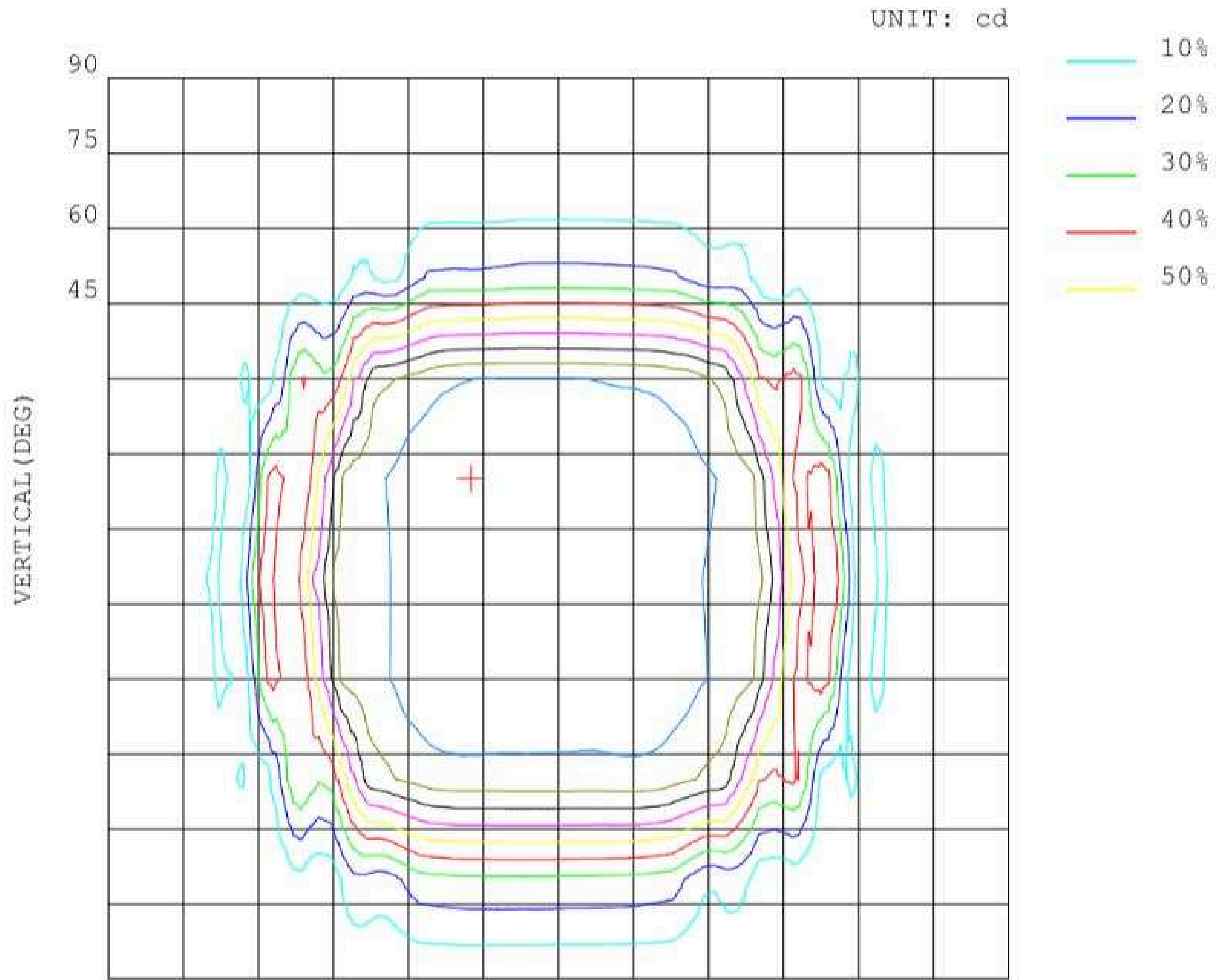
Temperature: 25 Celsius
 Humidity: 65%
 Test No.:
 Tester:



☰ Lamp Description

manufacturer:	Model: CM-9856-SL	
Name : Led Flood Light 200W	Type:	Weight:
Specification:	Dimension:	serial N°: FL-C20151

☀ ISOCANDELA DIAGRAM



Test System:HOPOO HPG1900
Temperature:25.3DEG
Operators:
Test Date:20151118

Test Set: 5.0deg/s B-Beta (TYPE B)
Humidity:65.0%
Test Distance:10.000 m
Remarks:

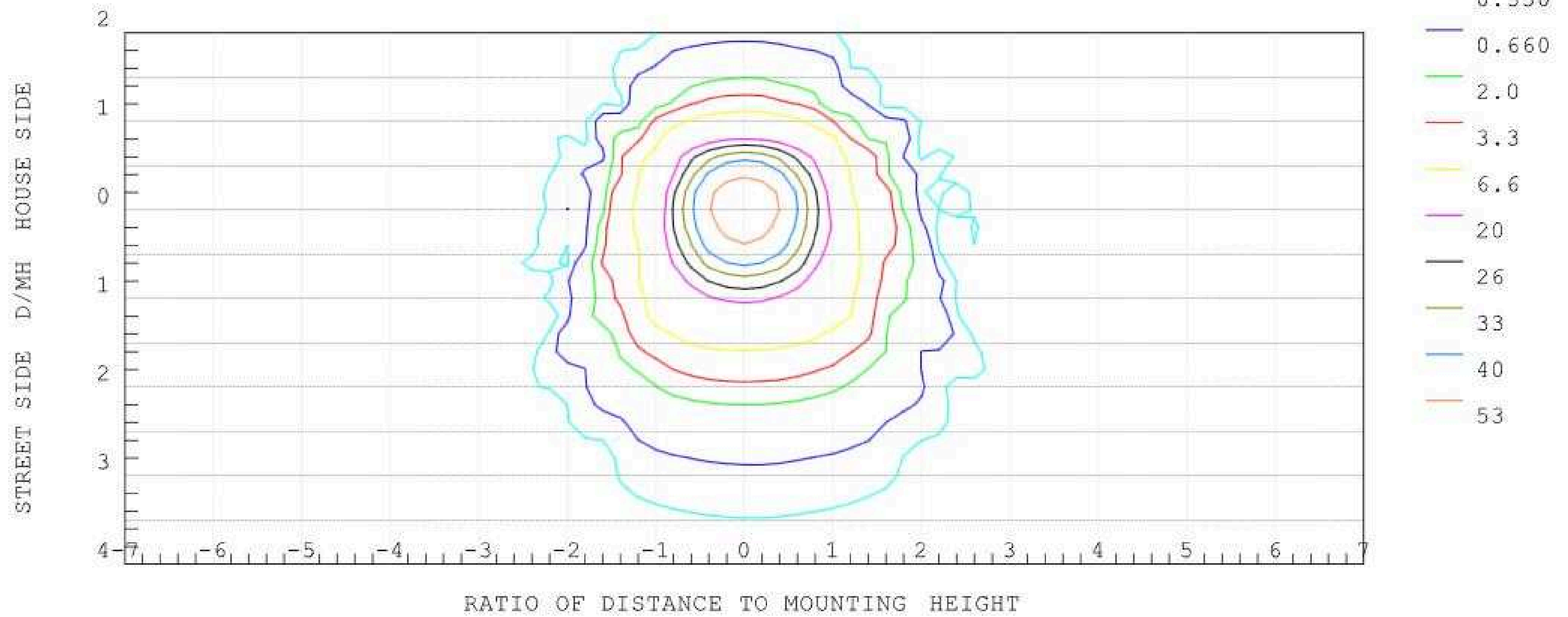


Lamp Description

manufacturer:	Model: CM-9856-SL	
Name : Led Flood Light 200W	Type:	Weight:
Specification:	Dimension:	serial N°: FL-C20151

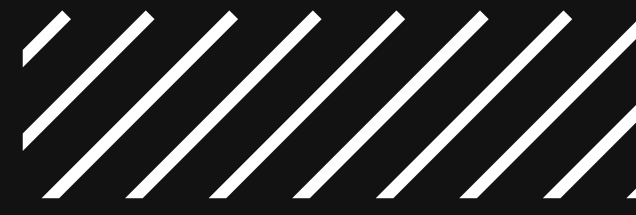
ISOLUX DIAGRAM

ILLUMINANCE AT MH=10 m, Enadir = 65.86 lx



Test System:HOPOO HPG1900
Temperature:25.3DEG
Operators:
Test Date:20151118

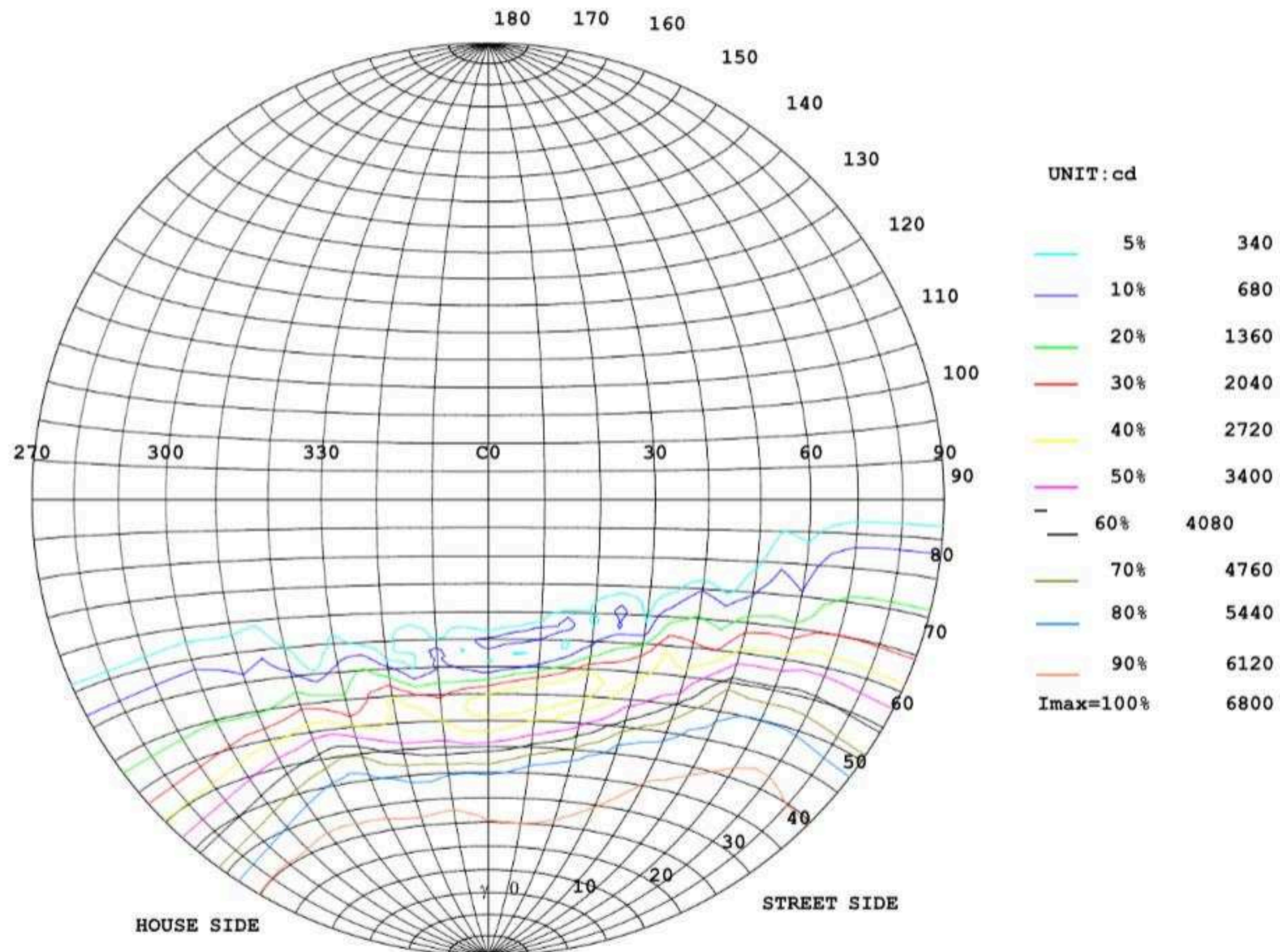
Test Set: 5.0deg/s B-Beta (TYPE B)
Humidity:65.0%
Test Distance:10.000 m
Remarks:



Lamp Description

manufacturer:	Model: CM-9856-SL	
Name : Led Flood Light 200W	Type:	Weight:
Specification:	Dimension:	serial N°: FL-C20151

ISOCANDELA DIAGRAM

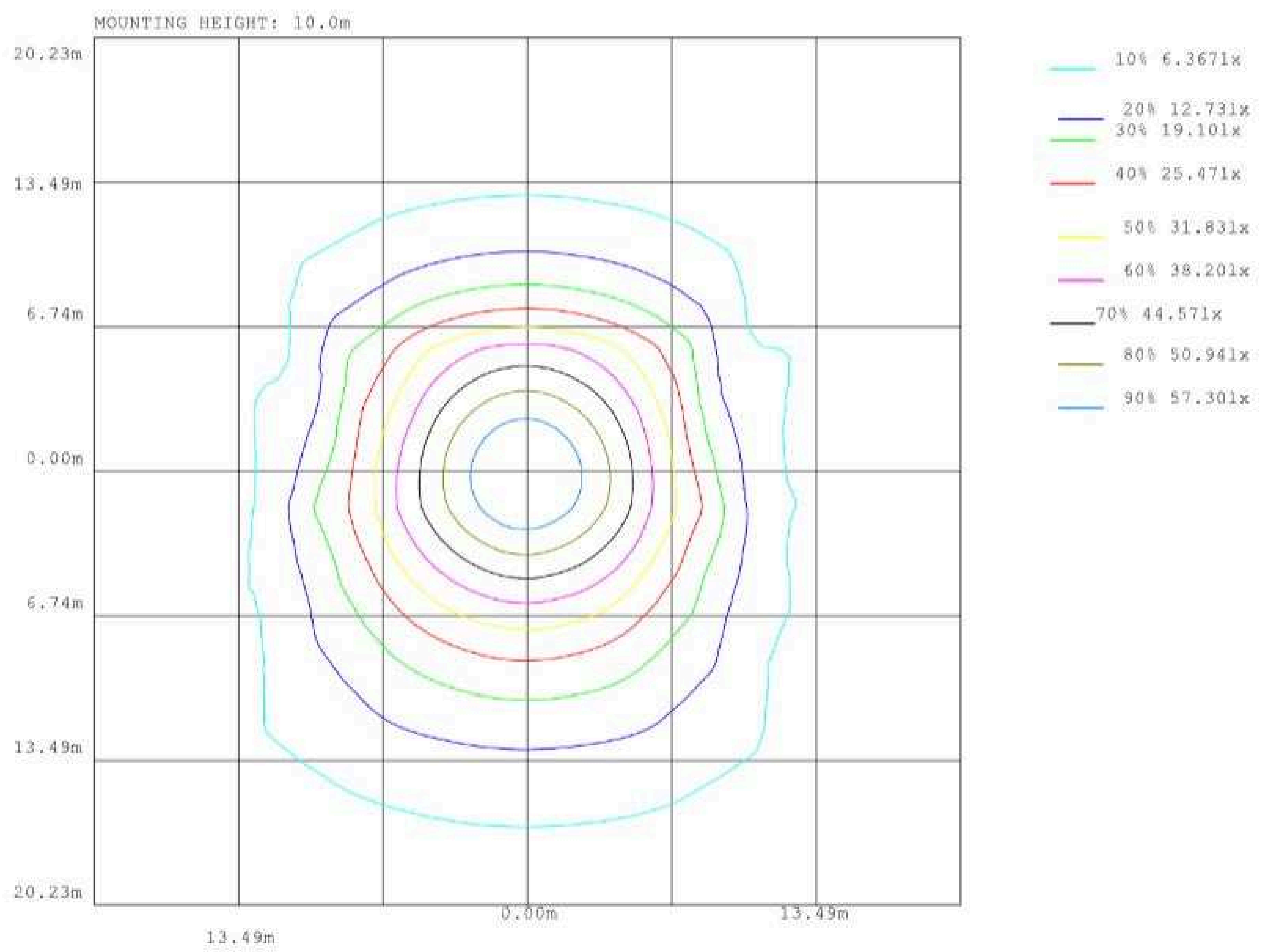




Lamp Description

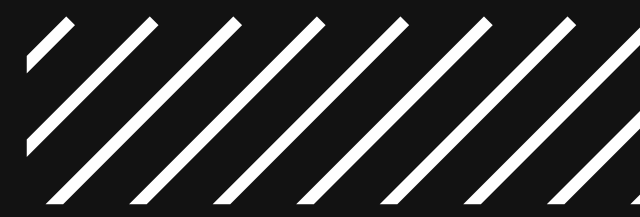
manufacturer:	Model: CM-9856-SL	
Name : Led Flood Light 200W	Type:	Weight:
Specification:	Dimension:	serial N°: FL-C20151

ISOLUX DIAGRAM



Test System:HOPOO HPG1900
 Temperature:25.3DEG
 Operators:
 Test Date:20151118

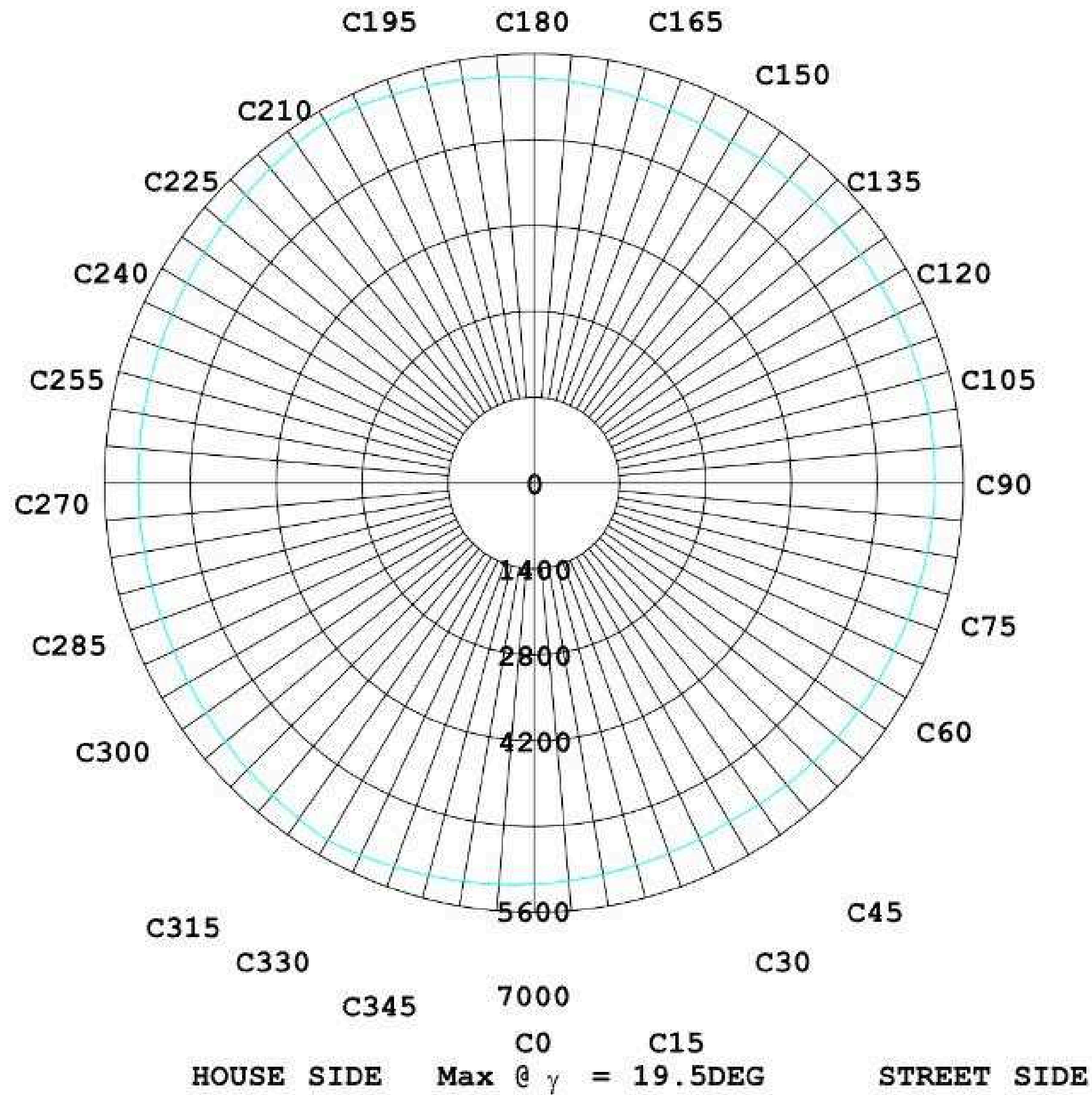
Test Set: 5.0deg/s B-Beta (TYPE B)
 Humidity:65.0%
 Test Distance:10.000 m
 Remarks:



Lamp Description

manufacturer:	Model: CM-9856-SL	
Name : Led Flood Light 200W	Type:	Weight:
Specification:	Dimension:	serial N°: FL-C20151

ISOCANDELA DIAGRAM



Test System:HOPOO HPG1900
 Temperature:25.3DEG
 Operators:
 Test Date:20151118

Test Set: 5.0deg/s B-Beta (TYPE B)
 Humidity:65.0%
 Test Distance:10.000 m
 Remarks:

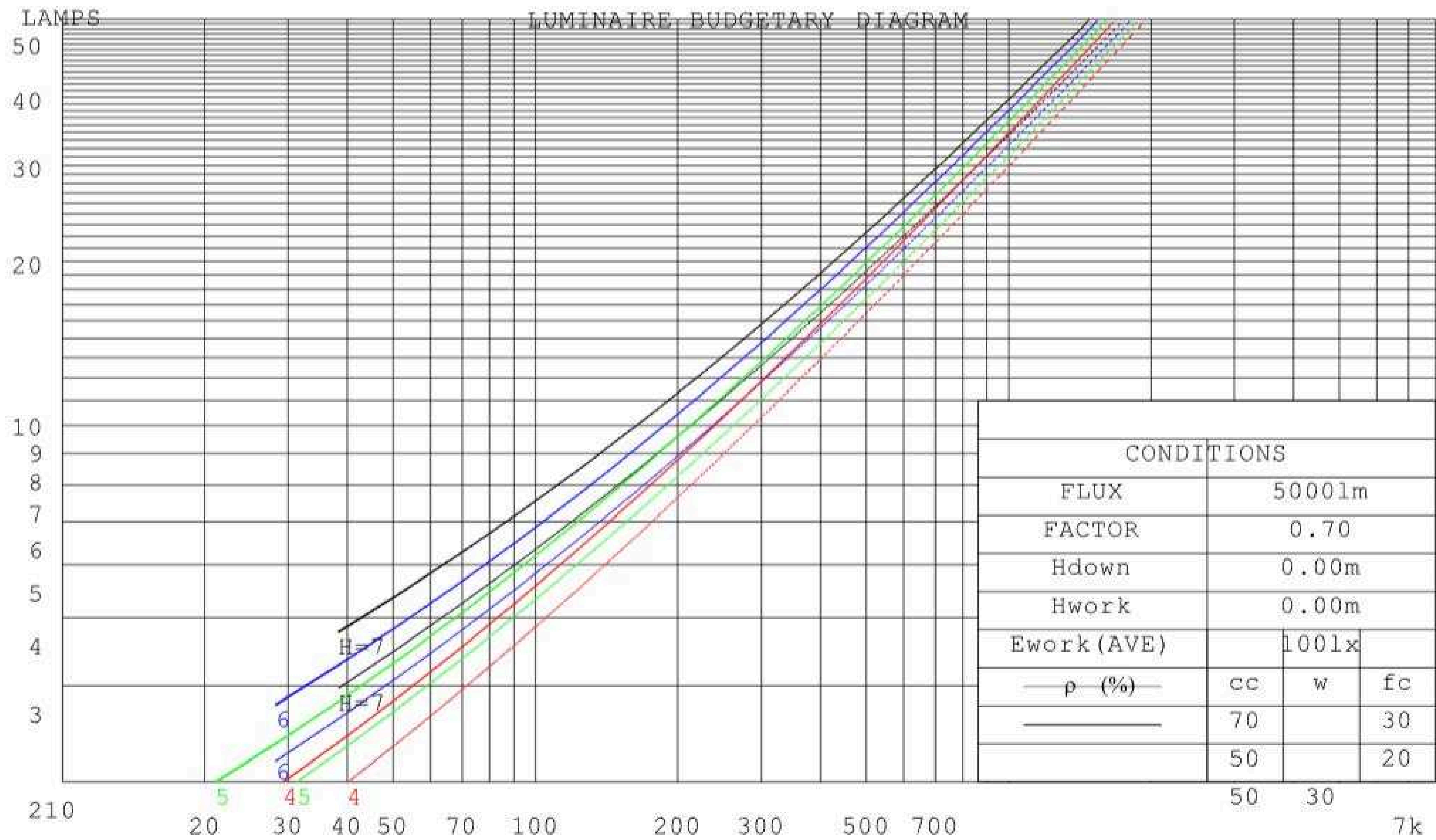


Lamp Description

manufacturer:	Model: CM-9856-SL	
Name : Led Flood Light 200W	Type:	Weight:
Specification:	Dimension:	serial N°: FL-C20151

CU AND LUMINAIRE BUDGETARY ESTIMATE DIAGRAM

ρ_{cc}	80%			70%			50%			30%			10%			0
ρ_w	50%	30%	10%	50%	30%	10%	50%	30%	10%	50%	30%	10%	50%	30%	10%	0
ρ_{fc}	20%			20%			20%			20%			20%			0
RCR	RCR:Room Cavity Ratio			Coefficients of Utilization(CU)												
0.0	1.19	1.19	1.19	1.16	1.16	1.16	1.11	1.11	1.11	1.06	1.06	1.06	1.02	1.02	1.02	.00
1.0	1.06	1.02	.99	1.04	1.01	.97	.90	.97	.94	.96	.94	.92	.92	.91	.89	.87
2.0	.94	.88	.83	.92	.87	.82	.89	.84	.80	.86	.82	.78	.83	.79	.77	.75
3.0	.84	.76	.70	.82	.75	.70	.79	.73	.68	.76	.71	.67	.74	.70	.66	.64
4.0	.75	.67	.60	.73	.66	.60	.71	.64	.59	.69	.63	.58	.67	.62	.58	.56
5.0	.67	.59	.52	.66	.58	.52	.64	.57	.52	.62	.56	.51	.60	.55	.51	.49
6.0	.61	.52	.46	.60	.52	.46	.58	.51	.45	.56	.50	.45	.55	.49	.45	.43
7.0	.55	.47	.41	.54	.46	.41	.53	.46	.40	.51	.45	.40	.50	.44	.40	.38
8.0	.50	.42	.36	.50	.42	.36	.48	.41	.36	.47	.41	.36	.46	.40	.36	.34
9.0	.46	.38	.33	.46	.38	.33	.44	.37	.33	.43	.37	.32	.42	.37	.32	.30
10.0	.43	.35	.30	.42	.35	.30	.41	.34	.30	.40	.34	.29	.39	.33	.29	.28



Test System:HOPOO HPG1900
 Temperature:25.3DEG
 Operators:
 Test Date:20151118

Test Set: 5.0deg/s B-Beta (TYPE B)
 Humidity:65.0%
 Test Distance:10.000 m
 Remarks: